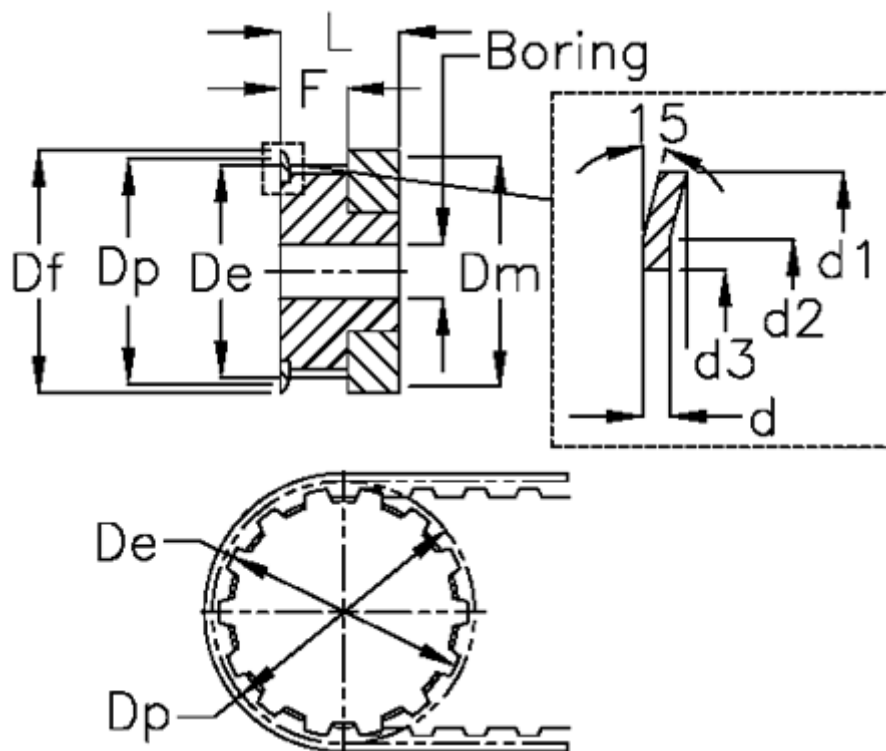


Article number: 60415016016

Description: Timing Belt Pulley 16 T 2,5 16/2

## Measures



Belt width = - 6 mm	Dp	= 12.8
d = 0.5	F	= 9
d1 = 16	Flange type	= F03
d2 = 13	L	= 16
d3 = 9.5	Pre-drilled	= 4
De = 12.2	Tooth number	= 16
Df = 16	Type	= T2,5
Dm = 9.5	Weight	= 0.006